

## SIW-ACR-100

### Status Indicator Acrylic for SSW Installation Guide



#### Description

The Crestron® SIW-ACR-100 is a status indicator acrylic that is used with the Crestron SSW room availability hallway sign. When installed into an SSW as part of a room scheduling solution, the SIW-ACR-100 illuminates to indicate the room's availability.

#### Additional Resources

Visit the product page on the Crestron website ([www.crestron.com](http://www.crestron.com)) for additional information and the latest firmware updates. Use a QR reader application on your mobile device to scan the QR image.



#### Installation

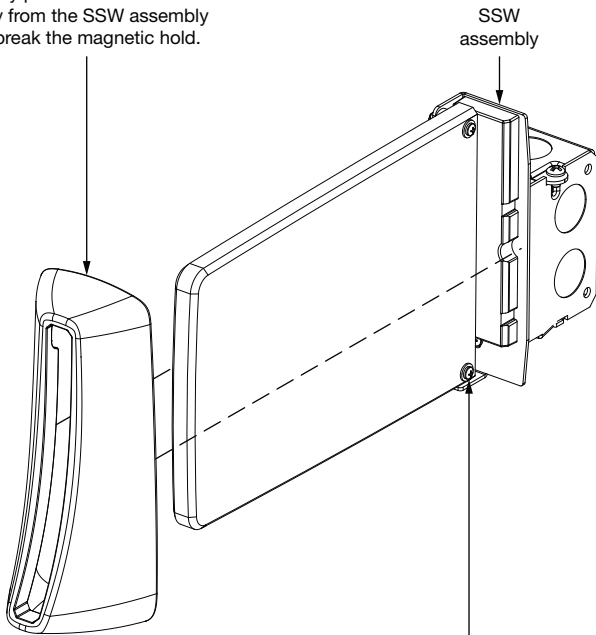
To install the SIW-ACR-100:

**NOTE:** If the SIW-ACR-100 is being installed as part of a new SSW installation, proceed to step 3.

1. Disconnect the bezel from the SSW assembly by gently pulling it out and away from the assembly to break the magnetic hold.
2. Using a Phillips screwdriver, remove the existing acrylic by unscrewing the two 4-40 x 1/2" SEMS screws that secure the acrylic to the assembly.

The illustration below depicts the procedure for removing an SSW-ACR acrylic sign face from the SSW assembly. The same removal procedure applies to other acrylics that are compatible with the SSW.

Gently pull the bezel out and away from the SSW assembly to break the magnetic hold.

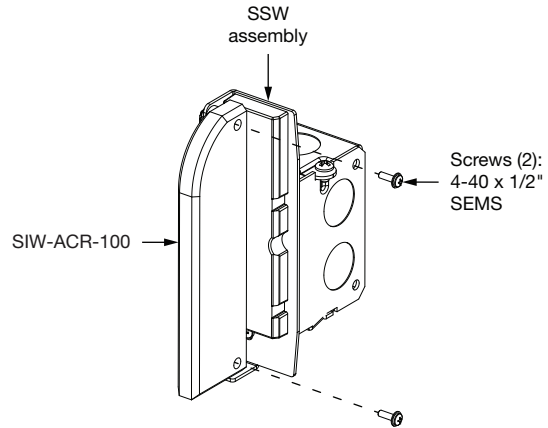


Unscrew the two 4-40 x 1/2" screws to remove the acrylic.

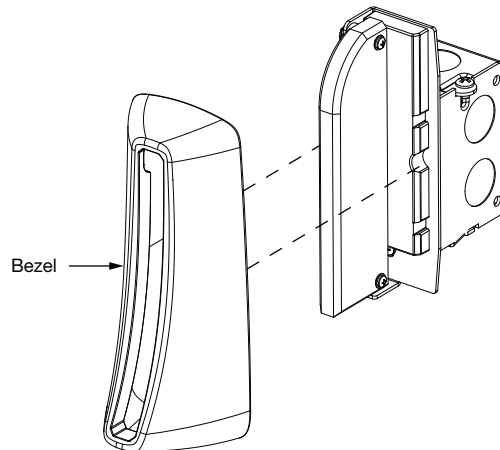
3. Align the two mounting holes in the SIW-ACR-100 with the mounting posts on the SSW assembly.
4. Attach the SIW-ACR-100 to the SSW assembly so that posts on the SSW assembly engage the holes on the SIW-ACR-100. The SIW-ACR-100 stays in place after it is attached to the SSW assembly.

**NOTE:** Ensure that the SSW assembly is mounted properly before attaching the SIW-ACR-100. For more information on installing the SSW, refer to the SSW-100/SSW-102 DO Guide (Doc. 7969) at [www.crestron.com/manuals](http://www.crestron.com/manuals).

5. Using a Phillips screwdriver, secure the SIW-ACR-100 to the SSW assembly with the two 4-40 x 1/2" SEMS screws included with the SSW.



6. Remove the plastic film from the SIW-ACR-100 once it is secured.
7. Slide the bezel carefully over the SIW-ACR-100 until the bezel snaps magnetically into place against the SSW assembly.



The product warranty can be found at [www.crestron.com/legal/sales-terms-conditions-warranties](http://www.crestron.com/legal/sales-terms-conditions-warranties).

The specific patents that cover Crestron products are listed at [www.crestron.com/legal/patents](http://www.crestron.com/legal/patents).

Certain Crestron products contain open source software. For specific information, please visit [www.crestron.com/legal/open-source-software](http://www.crestron.com/legal/open-source-software).

Crestron and the Crestron logo are either trademarks or registered trademarks of Crestron Electronics, Inc. in the United States and/or other countries. Other trademarks, registered trademarks, and trade names may be used in this document to refer to either the entities claiming the marks and names or their products. Crestron disclaims any proprietary interest in the marks and names of others. Crestron is not responsible for errors in typography or photography.

This document was written by the Technical Publications department at Crestron.

©2018 Crestron Electronics, Inc.

**Crestron Electronics, Inc.**  
15 Volvo Drive, Rockleigh, NJ 07647  
Tel: 888.CRESTRON  
Fax: 201.767.7576  
[www.crestron.com](http://www.crestron.com)

**Installation Guide - DOC. 8315A**  
**(2051309)**  
**03.18**

Specifications subject to  
change without notice.