

HZ2-DIMLVEX

Horizon® 2 In-Wall 0-10 V Dimmer with infiNET EX® Wireless Communication, 120 VAC



White Shown with Custom Engraving on a Style 6 Button Assembly, Faceplate not Included

- 0-10V dimming control
- Integrated switch to cut load power
- 1- to 4-gang U.S. wall box installation using Horizon® 2 multi-gang faceplates ([HZ2-FP-G series](#), sold separately)
- Robust infiNET EX® wireless communication
- Preinstalled large rocker button assembly (Style 6) with default engraving or can be configured with six different button assemblies with custom engraving
- Multicolor RGB LEDs provide backlighting for engraved buttons
- White LED backlighting is available and can be dynamically set anywhere between 2000K and 8000K
- Replacement button assemblies available in six styles to accommodate changes in device function or engravings
- Standard blank button assemblies available for engraving by a third-party
- Ambient light sensor for auto-dimming with separate day and night backlight modes
- Fully programmable via a Crestron control system
- Local button functionality for load control without programming
- Requires neutral wire connection
- Crestron Home® OS compatible
- Available in white, black, almond, white glass, and black glass
- Optionally mix standard and glass finishes

The [HZ2-DIMLVEX](#) Horizon® 2 in-wall 0–10V dimmer and switch provides infiNET EX® wireless network control of 0–10V controlled ballasts and drivers. Its design matches the entire line of Horizon dimmers, switches, and keypads, making it a great addition to new or retrofit installations.

The HZ2-DIMLVEX is available with default engraving on a rocker button assembly (Style 6) or custom engraving on any style button assembly.

- Default engraving on a rocker button (Style 6) is provided with the HZ2-DIMLVEX-A, HZ2-DIMLVEX-W, HZ2-DIMLVEX-B, HZ2-DIMLVEX-GLASS-W, and HZ2-DIMLVEX-GLASS-B. The default engraving includes a simple dot to provide feedback and indicate where the button can be pressed.



HZ2-DIMLVEX

Horizon® 2 In-Wall 0-10 V Dimmer with infiNET EX® Wireless Communication, 120 VAC

- Custom engraving on any style button assembly is provided with the HZ2-DIMLVEX-A ENGRAVED, HZ2-DIMLVEX-W ENGRAVED, HZ2-DIMLVEX-B ENGRAVED, HZ2-DIMLVEX-GLASS-W ENGRAVED, and HZ2-DIMLVEX-GLASS-B ENGRAVED. The custom engraved button assembly is installed prior to shipment.



NOTE: Faceplates are not included. Refer to the [HZ2-FP-G series](#) faceplates for more information.

Integrated Keypad

Supporting up to five buttons in six available button configurations, the HZ2-DIMLVEX is configurable for a variety of applications. When connected to the Crestron network, the keypad can trigger remote actions.

Button Engraving

Functions of each button on the button assembly can be identified with custom, laser-etched engraving. Engraved buttons can be illuminated using the device's LED backlights. Engraving is included with ENGRAVED models. Standard button assemblies without engraving (BLANK models) are also available and can be used as is or can be custom engraved by a third-party engraver.

NOTE: Glass Horizon 2 buttons can only be engraved by Crestron and are not offered blank.

When a custom engraved model is ordered, the engraved button assembly is installed on the device before it is shipped. Engraving files must be provided at time of order and can be created using [Impress Custom Engraving Software](#), the Crestron Home® Setup app, the Crestron Home Online Configurator, or D3Pro® software. If necessary, custom engraving can be changed until the order is processed by emailing orders@crestron.com with the updated engraving file and order information.

To order replacement engravings, refer to the [HZ2-BTNS ENGRAVED](#) button assembly product page.

Multicolor Backlit Buttons

The engraved buttons are illuminated using the device's RGB LED backlights. Each button can be assigned custom color backlighting. The LED backlight provides feedback by changing the intensity, changing the color, or flashing to show that an action is being performed. Backlighting colors can be adjusted using Crestron Home software or other Crestron programming tools.

Local color theme sets the colors for all buttons on the device. In addition to the local color theme, each button can be assigned an alternate color theme. Thirteen local color themes are available that include Tunable White (default is Warm White), Neutral White, Cool White, and a variety of common colors. The local color theme and alternate color themes can be changed programmatically.

Field-Replaceable Button Assemblies

Field-replaceable button assemblies allow for changes in device function or for the customer to use the system before finalizing the engravings. The button assembly can be replaced with any custom engraved or blank [HZ2-BTNS](#) button assembly. All Horizon 2 devices can use standard buttons, glass buttons, or a mix.

HZ2-DIMLVEX

Horizon® 2 In-Wall 0-10 V Dimmer with infiNET EX® Wireless Communication, 120 VAC

The HZ2-DIMLVEX devices are available in White (-W), Black (-B), Almond (-A), White Glass (-GLASS-W), and Black Glass (-GLASS-B) in the following styles:

- **Style 1:** 5 single buttons

HZ2-BTNS-1 ENGRAVED



HZ2-BTNS-1 BLANK



HZ2-BTNS-1-GLASS ENGRAVED



- **Style 2:** 4 single buttons and 1 split rocker button; Split rocker button is located in the lowest button position

NOTE: The split rocker button does not allow for a center push and shares one backlight for the entire split rocker.

HZ2-BTNS-2 ENGRAVED



HZ2-BTNS-2 BLANK



HZ2-BTNS-2-GLASS ENGRAVED



HZ2-DIMLVEX

Horizon® 2 In-Wall 0-10 V Dimmer with infiNET EX® Wireless Communication, 120 VAC

- **Style 3:** 4 single buttons and 1 split rocker button; Split rocker button is located in the second lowest button position

NOTE: The split rocker button does not allow for a center push and shares one backlight for the entire split rocker.

HZ2-BTNS-3 ENGRAVED



HZ2-BTNS-3 BLANK



HZ2-BTNS-3-GLASS ENGRAVED



- **Style 4:** 3 single buttons and 2 split rocker buttons; Split rocker buttons are located in the two lowest button positions

NOTE: The split rocker buttons do not allow for a center push and each split rocker shares one backlight for the entire split rocker.

HZ2-BTNS-4 ENGRAVED



HZ2-BTNS-4 BLANK



HZ2-BTNS-4-GLASS ENGRAVED



HZ2-DIMLVEX

Horizon® 2 In-Wall 0-10 V Dimmer with infiNET EX® Wireless Communication, 120 VAC

- **Style 5:** 1 medium rocker button and 2 single buttons; Single buttons are located in the two lowest button positions

NOTE: The medium rocker button does not allow for a center push and provides a separate backlight for the top, bottom, and center positions.

HZ2-BTNS-5 ENGRAVED



HZ2-BTNS-5 BLANK



HZ2-BTNS-5-GLASS ENGRAVED



- **Style 6:** 1 large rocker button

NOTE: The large rocker button does not allow for a center push and provides a separate backlight for the top, bottom, and center positions.

HZ2-BTNS-6 ENGRAVED



HZ2-BTNS-6 BLANK



HZ2-BTNS-6-GLASS ENGRAVED

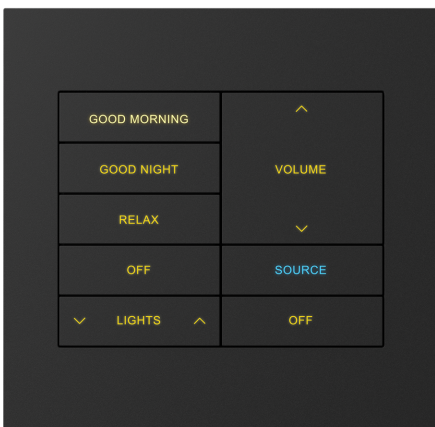


HZ2-DIMLVEX

Horizon® 2 In-Wall 0-10 V Dimmer with infiNET EX® Wireless Communication, 120 VAC

Multigang Expansion with Horizon 2 Faceplates

Install up to four Horizon® 2 devices side-by-side in a US multigang electrical box with a compatible [HZ2-FP-G](#) series faceplate. When multiple devices are installed in a 2-, 3-, or 4-gang faceplate, the buttons on the devices are aligned to form one continuous control surface.



Ambient Light Sensor

To ensure optimal visibility under varying lighting conditions, the button backlighting and indicator intensity adjusts automatically according to the amount of ambient light in the room.

Standard Wall Mount

Horizon keypads are designed for installation in a standard electrical wall box, making them perfect for installation in a multi-gang box alongside other Horizon devices.

infiNET EX Communications

infiNET EX wireless technology provides two-way RF communications throughout a residential or commercial structure without the need for physical control wiring. Each infiNET EX device acts as an expander by sending command signals to other infiNET EX devices in range (approximately 150 ft (46 m) indoors) to ensure reliability and stability.

The device communicates with a control system via a [Crestron Wireless Gateway](#) (sold separately). Up to 100 infiNET EX devices may coexist on a wireless network.

NOTE: Any infiNET EX device that provides expander functionality will effectively extend the range of the wireless network beyond the initial range of the gateway. Battery-powered infiNET EX devices do not provide expander functionality. A dedicated infiNET EX Wireless Expander is also available ([CLW-EXPEX](#), sold separately).

Specifications

Load Control

| | |
|---------------------------|--|
| Load Type | 0-10VDC Ballasts, LED Drivers |
| Load Rating | 10A maximum; No minimum load |
| Dim Control Output | 0-10VDC 60 mA sink/source |
| Preset Fade Time | 1 second (default), when operated without a control system; Fade time is adjustable when controlled by a control system |

Power Requirements

120VAC, 50/60 Hz;
Requires neutral wire connection

Controls

| | |
|------------------------|--|
| Push button | (9) Push buttons, located under the button assembly; Push buttons are actuated by the button assembly that is installed |
| Button Assembly | (1) Button assembly included; Default engraving: Includes default engraving on a Style 6 button assembly; Custom engraving (ENGRAVED models): Includes custom engraving on any style button assembly; Compatible with Style 1–6 button assemblies |

NOTE: The center of a rocker-style button cannot be used to actuate a push button. Rocker buttons are included on the HZ2-BTNS-2, HZ2-BTNS-3, HZ2-BTNS-4, HZ2-BTNS-5, and HZ2-BTNS-6 button assemblies.

Setup

(1) Push button;
Front of the faceplate must be removed to access the push button;
Can be used to set the local LED backlight color theme or calibrate the ambient light sensor

LED Indicator and Light Sensor

| | |
|---------------------|---|
| LED Feedback | (5) RGB LED backlights; Supports one local color theme for all LEDs; Supports one alternate color theme for each backlit position |
|---------------------|---|

HZ2-DIMLVEX

Horizon® 2 In-Wall 0-10 V Dimmer with infiNET EX® Wireless Communication, 120 VAC

Light Sensor (1) Photosensor with adjustable sensitivity; Detects the ambient room light level to activate day or night mode and autodimming the backlight

NOTE: Light sensor performance may be affected by obstructions placed below the keypad.

Wireless

RF Transceiver infiNET EX® 2-way RF, 2.4 GHz ISM Channels 11-26 (2400 to 2483.5 MHz), default channel 15; IEEE 802.15.4 compliant

Range (typical) 150 ft (46 m) indoor, 250 ft (76 m) outdoor to nearest mesh network device; Subject to site-specific conditions and individual device capabilities

Gateway Requires a [Crestron Wireless Gateway](#) (sold separately)

Connections

HOT (1) 12 AWG flying lead; Black, line power input (wire nut included)

NEU (1) 12 AWG flying lead; White, neutral (wire nut included)

LOAD (1) 12 AWG flying lead; Red, switched power output to load (wire nut included)

GND (1) 12 AWG flying lead; Green with yellow stripe, ground (wire nut included)

DIM + (1) 12 AWG flying lead; Purple, 0-10V dimming control output, positive (wire nut included)

DIM - (1) 12 AWG flying lead; Pink, 0-10V dimming control output, negative (wire nut included)

NOTE: The older version of this product had gray wire for DIM -.

Environmental

Temperature 32° to 86°F (0° to 30°C)

Humidity 10% to 90% RH (noncondensing)

Construction

Mounting Mounts in a 1- to 4-gang U.S. electrical box (not included); 3.5 in. (26 mm) electrical box depth recommended; Derating required in multigang applications

Faceplate Requires a Horizon® 2 faceplate ([HZ2-FP-G](#), sold separately), metal backplate included with faceplate); Multigang installations require a 2-, 3-, or 4-gang Horizon® 2 faceplate with metal backplate ([HZ2-FP-G](#), sold separately); The metal backplate is required for all installations where the electrical box is flush with or recessed from the wall surface; The metal backplate is not recommended for electrical boxes that protrude beyond the wall surface

Dimensions

Height 4.13 in. (105 mm)

Width 1.80 in. (46 mm)

Depth (Standard) 1.75 in. (45 mm) overall, extends 0.44 in. (12 mm) from wall surface when installed

Depth (Glass) 1.89 in. (48 mm) overall, extends 0.46 in. (12 mm) from wall surface when installed

Weight

7.4 oz (208 g)

Compliance

FCC, UL, IC

Regulatory Model: M201849005

HZ2-DIMLVEX

Horizon® 2 In-Wall 0-10 V Dimmer with infiNET EX® Wireless Communication, 120 VAC

Models

HZ2-DIMLVEX-A ENGRAVED

Horizon® 2 In-Wall 0-10 V Dimmer with infiNET EX® Wireless Communication, 120 VAC, Custom Engraved, Almond

HZ2-DIMLVEX-B ENGRAVED

Horizon® 2 In-Wall 0-10 V Dimmer with infiNET EX® Wireless Communication, 120 VAC, Custom Engraved, Black

HZ2-DIMLVEX-GLASS-B ENGRAVED

Horizon® 2 In-Wall 0-10 V Dimmer with infiNET EX® Wireless Communication, 120 VAC, Custom Engraved, Black Glass

HZ2-DIMLVEX-W ENGRAVED

Horizon® 2 In-Wall 0-10 V Dimmer with infiNET EX® Wireless Communication, 120 VAC, Custom Engraved, White

HZ2-DIMLVEX-GLASS-W ENGRAVED

Horizon® 2 In-Wall 0-10 V Dimmer with infiNET EX® Wireless Communication, 120 VAC, Custom Engraved, White Glass

HZ2-DIMLVEX-A

Horizon® 2 In-Wall 0-10 V Dimmer with infiNET EX® Wireless Communication, 120 VAC, Standard Engraved, Almond

HZ2-DIMLVEX-B

Horizon® 2 In-Wall 0-10 V Dimmer with infiNET EX® Wireless Communication, 120 VAC, Standard Engraved, Black

HZ2-DIMLVEX-GLASS-B

Horizon® 2 In-Wall 0-10 V Dimmer with infiNET EX® Wireless Communication, 120 VAC, Standard Engraved, Black Glass

HZ2-DIMLVEX-W

Horizon® 2 In-Wall 0-10 V Dimmer with infiNET EX® Wireless Communication, 120 VAC, Standard Engraved, White

HZ2-DIMLVEX-GLASS-W

Horizon® 2 In-Wall 0-10 V Dimmer with infiNET EX® Wireless Communication, 120 VAC, Standard Engraved, White Glass

Crestron, the Crestron logo, Crestron Home, Horizon, and infiNET EX are either trademarks or registered trademarks of Crestron Electronics, Inc. in the United States and/or other countries. Other trademarks, registered trademarks, and trade names may be used in this document to refer to either the entities claiming the marks and names or their products. Crestron disclaims any proprietary interest in the marks and names of others. Crestron is not responsible for errors in typography or photography.

Specifications are subject to change without notice.

©2024 Crestron Electronics, Inc.

Rev 10/24/24

Available Accessories

For a list of available accessories, visit the [HZ2-DIMLVEX](#) product page.

This product may be purchased from select authorized Crestron dealers and distributors. To find a dealer or distributor, please contact the Crestron sales representative for your area. A list of sales representatives is available online at www.crestron.com/How-To-Buy/Find-a-Representative or contact us for additional information by visiting www.crestron.com/contact/our-locations for your local contact.

The original language version of this document is U.S. English. All other languages are a translation of the original document.

The product warranty can be found at www.crestron.com/warranty.

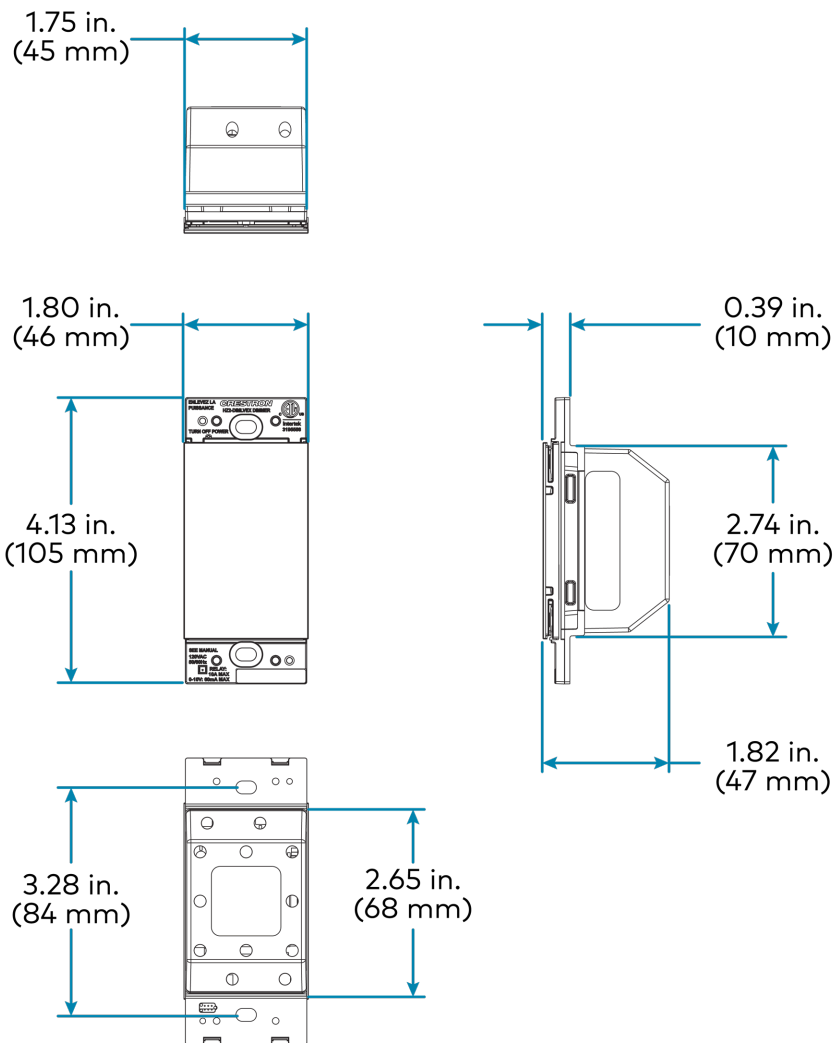
The specific patents that cover Crestron products are listed online at www.crestron.com/legal/patents.

Certain Crestron products contain open source software. For specific information, please visit www.crestron.com/opensource.

HZ2-DIMLVEX

Horizon® 2 In-Wall 0-10 V Dimmer with infiNET EX® Wireless Communication, 120 VAC

HZ2-DIMLVEX



HZ2-DIMLVEX

Horizon® 2 In-Wall 0-10 V Dimmer with infiNET EX® Wireless Communication, 120 VAC

HZ2-DIMLVEX-GLASS

