

4K DigitalMedia 8G+® Transmitters

The Crestron® [DM-TX-4K-202-C](#) and [DM-TX-4K-302-C](#) provide a versatile interface for computers and high-definition AV sources as part of a complete Crestron DigitalMedia™ system. The devices function as DM 8G+® transmitters and switchers, and also provide control module functionality.



In the Box

- 1 DM-TX-4K-202-C or DM-TX-4K-302-C, 4K DigitalMedia 8G+® Transmitters

Additional Items

- 1 Connector, 2-Pin (2003574)
- 1 Connector, 5-Pin (2003577)



Install the Transmitter

NOTE:

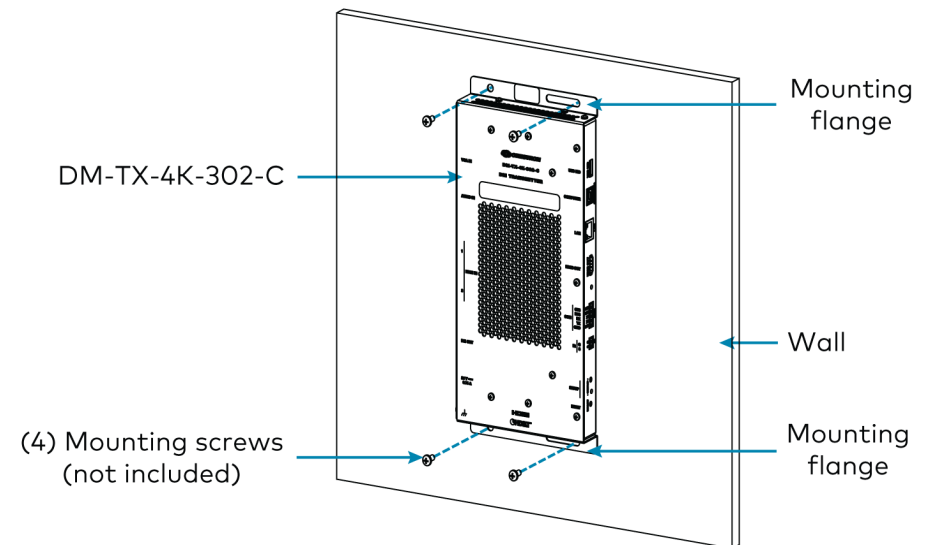
This unit is for indoor use only. It is not intended for outdoor use.

Cet appareil est réservé à une utilisation en intérieur. Il n'est pas destiné à une utilisation en extérieur.

The DM-TX-4K-202-C and DM-TX-4K-302-C can be mounted onto a flat surface or onto a rack rail.

Mount onto a Flat Surface

Using four mounting screws (not included), mount the device onto a flat surface such as a wall or a ceiling.

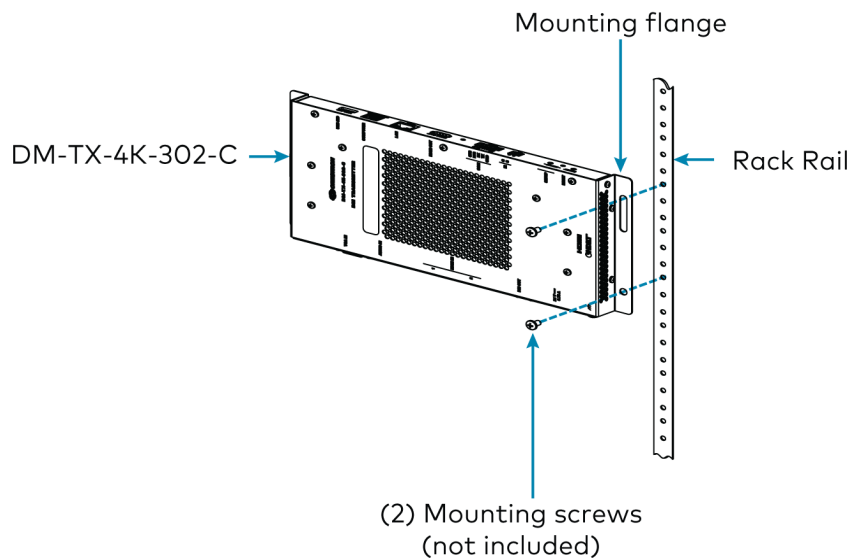


4K DigitalMedia 8G+® Transmitters

Mount onto a Rack Rail

The DM-TX-4K-202-C or DM-TX-4K-302-C can be mounted onto a front or rear rack rail. To mount the device:

1. Position either of the mounting flanges so that the holes align with the holes in the rack rail.
2. Secure the device to the rack rail using two rack mount screws (not included).



Connect the Transmitter

Connect the device as required for the application.

NOTES:

- The DM OUT port of the DM-TX-4K-302-C is a PoDM+ powered device (PD) port and is also compatible with HDBaseT® PoE+. The DM OUT port of the DM-TX-4K-202-C is a standard PoDM PD port and is also compatible with HDBaseT PoE.
 - In order for the port to receive PoDM+ or PoDM, the port requires connection to a DigitalMedia™ switcher or other DigitalMedia equipment that has a corresponding PoDM+ or PoDM power sourcing equipment (PSE) port.
 - In order for the port to receive HDBaseT PoE+ or HDBaseT PoE, the port requires connection to equipment that has a corresponding HDBaseT PoE+ or HDBaseT PoE PSE port.

Wiring that is connected to a PoDM+, PoDM, HDBaseT PoE+, or HDBaseT PoE PSE port is for intrabuilding use only.

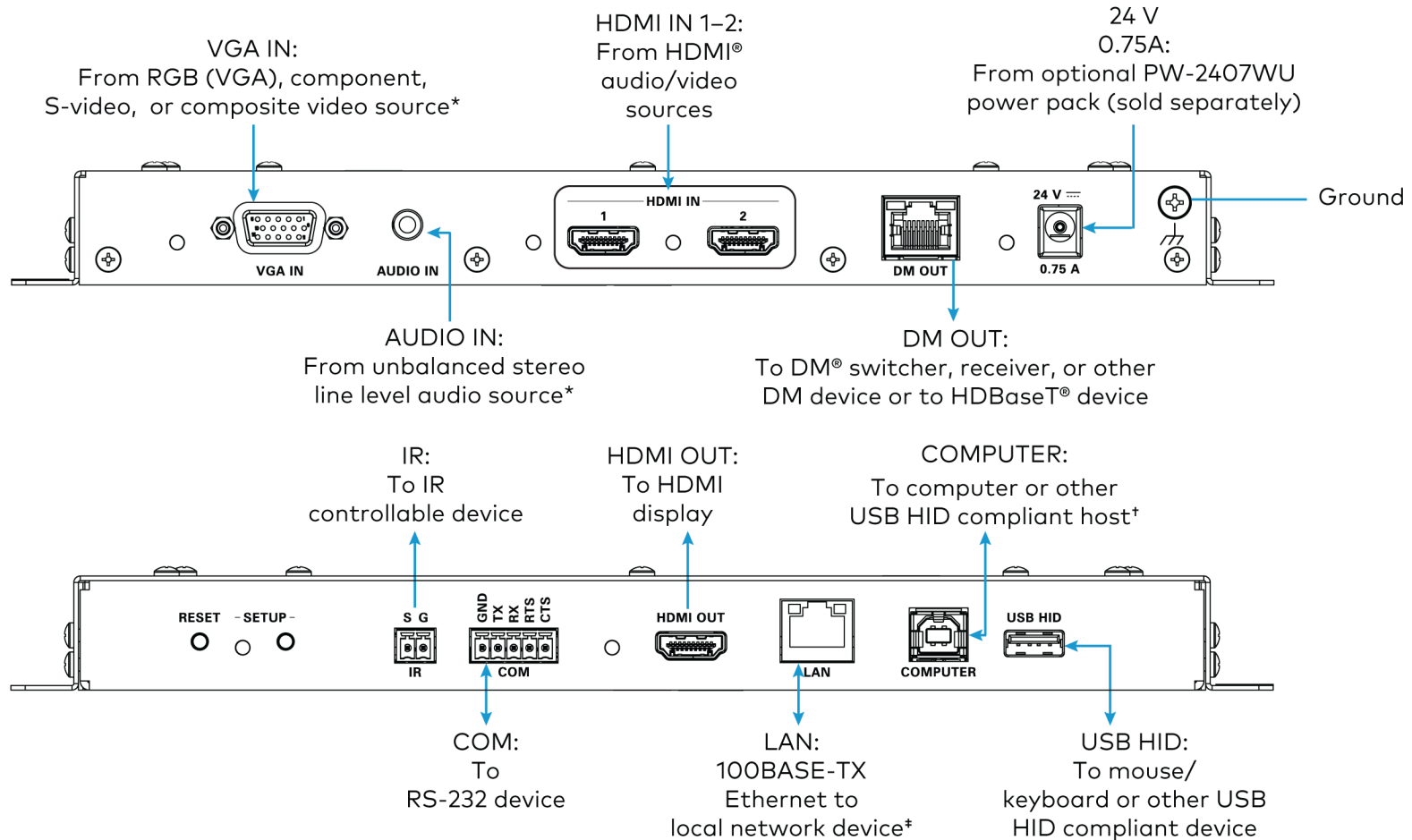
As an alternative to PoDM, PoDM+, HDBaseT PoE+, HDBaseT PoE, the optional [PW-2407WU](#) power pack (sold separately) can be used to power the devices.

- The DM-TX-4K-302-C requires PoDM+, HDBaseT PoE+, or the optional [PW-2407WU](#) power pack to power a USB device that is connected to the USB HID port. PoDM, HDBaseT PoE, or the optional [PW-2407WU](#) power pack can be used to power the DM-TX-4K-302-C if no USB device is connected to the USB HID port.

The DM-TX-4K-202-C requires PoDM, HDBaseT PoE, or the optional [PW-2407WU](#) power pack to power a USB device that is connected to the USB HID port.

4K DigitalMedia 8G+® Transmitters

Left and Right Side Connections (DM-TX-4K-302-C Shown)



* VGA IN and AUDIO IN are available on the DM-TX-4K-302-C only.

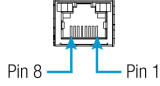
† By default, the COMPUTER port functions as a USB HID port. If a console connection via USB is desired, hold down the **SETUP** button while the unit boots up. Doing so will also restore the unit to its default static IP address.

* The LAN port can connect to an Ethernet switch only when the DM OUT port is not connected to a DigitalMedia switcher.

4K DigitalMedia 8G+® Transmitters

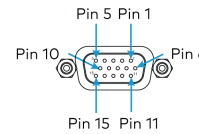
For information about DM OUT and VGA IN connector pin assignments, refer to the following illustrations and tables.

DM OUT Wiring



Pin Number	Wire Color
1	Orange/White
2	Orange
3	Green/White
4	Blue
5	Blue/White
6	Green
7	Brown/White
8	Brown

VGA IN Wiring (DM-TX-4K-302-C Only)



Pin Number	RGB	YPbPR	S-Video	Composite
1	R	Pr	C	
2	G	Y	Y	
3	B	Pb		COMP
5	GND	GND	GND	GND
6	RED_ GND	PR_ GND	C_ GND	
7	GRN_ GND	Y_ GND	Y_ GND	
8	BLU_ GND	Pb_ GND		
13	H			
14	V			

NOTE: For best video performance, ground connections should be kept separate. Do not connect ground wires to the connector shell. The connector shell is reserved for the cable shield.



Upgrade the Firmware

Before using the device, upgrade the firmware. The latest firmware can be downloaded from the [DM-TX-4K-202-C](#) and [DM-TX-4K-302-C](#) product page on the Crestron website (www.crestron.com).

4K DigitalMedia 8G+® Transmitters



Determine the IP Address

The physical configuration of the DM-TX-4K-202-C or DM-TX-4K-302-C within a DigitalMedia 8G+ system determines how the IP address of the transmitter is set:

- If the transmitter is connected to a DigitalMedia switcher, the IP address is configured by the switcher automatically. You do not need to set the IP address.
- If the transmitter is connected directly to a DigitalMedia 8G+ receiver (commonly referred to as a standalone configuration in which no DigitalMedia switcher is used), the IP address of the transmitter is assigned using DHCP (Dynamic Host Configuration Protocol) by default. If you wish to assign a static IP address, do either of the following:
 - To assign the default static IP address of the transmitter, hold down the **SETUP** button while the unit boots up. The default static IP address, which is 192.168.1.204 for the DM-TX-4K-202-C and 192.168.1.205 for the DM-TX-4K-302-C, overwrites the current setting.
 - To manually set a static IP address other than the default address, use the Crestron Toolbox™ software.



Visit the Product Page

Scan the QR code to visit the product page.

DM-TX-4K-202-C



www.crestron.com/model/6507320

DM-TX-4K-302-C



www.crestron.com/model/6507319

4K DigitalMedia 8G+® Transmitters

Additional Information

Original Instructions

The U.S. English version of this document is the original instructions. All other languages are a translation of the original instructions.

Crestron product development software is licensed to Crestron dealers and Crestron Service Providers (CSPs) under a limited nonexclusive, nontransferable Software Development Tools License Agreement. Crestron product operating system software is licensed to Crestron dealers, CSPs, and end-users under a separate End-User License Agreement. Both of these Agreements can be found on the Crestron website at www.crestron.com/legal/software_license_agreement.

The product warranty can be found at www.crestron.com/warranty.

The specific patents that cover Crestron products are listed at www.crestron.com/legal/patents.

Certain Crestron products contain open source software. For specific information, visit www.crestron.com/opensource.

Doc. 7743F

04/15/20