

# IV-CAM-I20

## Crestron 1 Beyond i20 Intelligent PTZ Camera, 20x Optical Zoom



- *Visual AI for Presenter Tracking*
- *High quality video supporting resolutions up to 1080p60*
- *Automatically pans, tilts, and zooms with dual camera technology, no external computer required*
- *Supports 20x optical zoom for tracking distances up to 50 ft from participants*
- *Connects directly to a codec or recording/streaming device*
- *Single Ethernet connection provides power (PoE), viewing, control, and NDI®/HX video*
- *Easily configured with Crestron 1 Beyond Camera Manager 2 software*
- *Compatible with Automate VX multi-camera systems*
- *Available in Moon Gray and Bright White colors*

The [IV-CAM-I20](#) is a high quality intelligent PTZ camera that uses visual AI to automatically track or frame a presenter. The IV-CAM-I20 is ideal for presenter tracking in large to extra large sized training rooms and classrooms, and group tracking meeting participants in large to extra large conference rooms. The IV-CAM-I20 has a dual camera design; the wide-angle reference camera uses visual AI to direct the PTZ camera. All visual AI is built into the camera – no external system is needed.

### Presenter Tracking Capability

Visual AI is used to smoothly track a single moving presenter as they move through a designated presentation area. It is easily configurable to prevent tracking other subjects or displays by using Blocking Zones. Recommended tracking range is 15 to 50 ft from the presentation area.

### Group Tracking Technology

Group Tracking utilizes visual AI to track multiple presenters smoothly in large training rooms and classrooms. The wide-angle reference camera continuously detects when participants enter or leave the presentation area, and the PTZ camera pans, tilts, and zooms to keep all presenters in the frame.

### Preset Zones

Preset Zones utilizes visual AI to frame a dedicated area of the room. When a participant enters the Preset Zone, the camera automatically displays the area regardless of who is currently talking or where other participants may be.

### Automate VX Compatible

The IV-CAM-I20 camera is compatible with Automate VX multi-camera speaker tracking systems. Use the IV-CAM-I20 presenter tracking in a designated area within 50 ft.

### Certified for Microsoft Teams® Conferencing Software

The IV-CAM-I20 camera is certified for Microsoft Teams® conferencing software. Use the rear USB port and connect a USB cable to a compatible codec for conferencing software use.

### High Quality Video

A high quality Sony® CMOS sensor enables the camera to output up to 1080p60 resolution video.

### Networked Power, Viewing, and Control

Connect a single Ethernet cable to power (PoE), view, set up, and control the IV-CAM-I20 camera.

### Mounting Options

Standard mounting holes make it easy to mount the camera. The IV-CAM-I20 ships with the color matched [IVA-WMT-BRKT-1B](#) Wall Mount Bracket, and is compatible with the [IV-CAMA-UMB](#) Universal Mounting Bracket and the [IVA-CMT-BRKT-1B](#) J-Mount Ceiling Bracket (both sold separately).

## Specifications

### Optics

Image Sensor	1/2.8 Sony® CMOS Sensor
Optical Zoom	20x
Focal Length	F=5.2-94 mm
Field of View (PTZ)	Horizontal: 56.45°
Field of View (Reference)	Horizontal: 104° (changes based on camera mode)
Shutter Speed	1/50-1/10,000 sec
Iris	F1.5-F3.0

# IV-CAM-I20

## Crestron 1 Beyond i20 Intelligent PTZ Camera, 20x Optical Zoom

<b>Minimum Illumination</b>	2 lux
<b>Pan/Tilt Angle</b>	Pan: -130° – 130°, Tilt: -30° – 90°
<b>Pan/Tilt Speed</b>	Pan: 0.2° – 90°/s, Tilt: 0.2° – 70°/s
<b>White Balance</b>	Auto, Indoor, One Push, Manual
<b>Exposure</b>	Auto, Manual, Shutter Priority, Iris Priority, Brightness Priority

### Camera Processing

<b>Intelligent Video Functions</b>	Presenter Tracking, Group Tracking, Preset Zones
<b>Recommended Range</b>	15-50 ft
<b>Presets</b>	Up to 256 configurable presets

### Video

<b>Video Outputs</b>	3G-SDI, HDMI®, USB, NDI® HX, ONVIF, RTSP, UVC
<b>Signal Formats</b>	SDI or HDMI: 1080p60/59.94/50/30/29.94/25, 720p60/59.94/50 USB: 1080p30/25, 720p30/25, 360p30

### Communications

<b>USB</b>	USB-B 3.0
<b>Ethernet</b>	RJ-45, 100Mbps
<b>Serial</b>	RS-232, RS-485
<b>Control Protocol</b>	VISCA/TCP, VISCA/UDP, PELCO-D, PELCO-P, ONVIF

### Management Client

<b>Software</b>	Crestron 1 Beyond Camera Manager 2 (Windows® OS computer required)
-----------------	--

### Connectors

<b>COM</b>	(1) 5-pin 3.5 mm detachable terminal block; Bidirectional RS-232/485 port
<b>PoE</b>	(1) 8-pin RJ-45 connector, female
<b>3G-SDI OUT</b>	(1) BNC connector, female; 3G-SDI digital video output
<b>HDMI OUT</b>	(1) HDMI Type A connector; HDMI digital video output
<b>USB</b>	(1) USB Type B connector, female; USB 3.0 device port for video and control
<b>12VDC 2.5A</b>	(1) 3.3 mm DC power connector; 12VDC power input; <a href="#">PW-1225DU</a> power pack sold separately

### Controls and Indicators

<b>Status Bar</b>	(1) Multisegment tricolor LED bargraph; Half green LED bargraph indicates live camera feed; Full green LED bargraph indicates camera tracking; Full amber LED bargraph indicates firmware upgrade; Half red LED bargraph indicates Privacy Mode
<b>RESET</b>	(1) Recessed push button for hardware reset

### Power

<b>Power Source Options</b>	Ethernet (PoE), Power Pack ( <a href="#">PW-1225DU</a> )
<b>Power over Ethernet</b>	IEEE 802.3af Class 3 Powered Device
<b>Power over Ethernet Rating</b>	15.4 W

**NOTE:** To comply with the European Directive (CE), shielded CAT5e cable must be used as a minimum for PoE power.

<b>Power Pack (sold separately)</b>	12VDC, 2.5A, 50/60 Hz
-------------------------------------	-----------------------

### Environmental

<b>Temperature</b>	32° to 104°F (0° to 40°C)
<b>Humidity</b>	10% to 90% RH (noncondensing)

# IV-CAM-I20

## Crestron 1 Beyond i20 Intelligent PTZ Camera, 20x Optical Zoom

### Construction

<b>Mounting Options</b>	<a href="#">IVA-WMT-BRKT-1B</a> 1 Beyond Wall Mount Bracket (included), <a href="#">IVA-CMT-BRKTJ-1B</a> 1 Beyond J-Mount Bracket (sold separately), <a href="#">IVA-CAMA-UMB</a> 1 Beyond Universal Mounting Bracket (sold separately)
<b>Mounting Thread</b>	1/4 in. threaded mount hole

### Dimensions

<b>Height</b>	6.51 in. (165 mm)
<b>Width</b>	8.90 in. (226 mm)
<b>Depth</b>	5.86 in. (149 mm)

### Weight

4.11 lb (1.86 kg)

### Compliance

#### Regulatory Model: M202306001

FCC Part 15 Class B, IC Class B, CE, Intertek® Listed for US and Canada

### Models

#### IV-CAM-I20-B

Crestron 1 Beyond i20 Intelligent PTZ Camera, 20x Optical Zoom, Moon Gray

#### IV-CAM-I20-W

Crestron 1 Beyond i20 Intelligent PTZ Camera, 20x Optical Zoom, Bright White

### Included Accessories

#### IVA-WMT-BRKT-1B

Crestron 1 Beyond Wall Mount Bracket

### Available Accessories

For a list of available accessories, visit the [IV-CAM-I20](#) product page.

This product may be purchased from select authorized Crestron dealers and distributors. To find a dealer or distributor, please contact the Crestron sales representative for your area. A list of sales representatives is available online at [www.crestron.com/How-To-Buy/Find-a-Representative](http://www.crestron.com/How-To-Buy/Find-a-Representative) or contact us for additional information by visiting [www.crestron.com/contact/our-locations](http://www.crestron.com/contact/our-locations) for your local contact.

The original language version of this document is U.S. English. All other languages are a translation of the original document.

The product warranty can be found at [www.crestron.com/warranty](http://www.crestron.com/warranty).

The specific patents that cover Crestron products are listed online at [www.crestron.com/legal/patents](http://www.crestron.com/legal/patents).

Certain Crestron products contain open source software. For specific information, please visit [www.crestron.com/opensource](http://www.crestron.com/opensource).

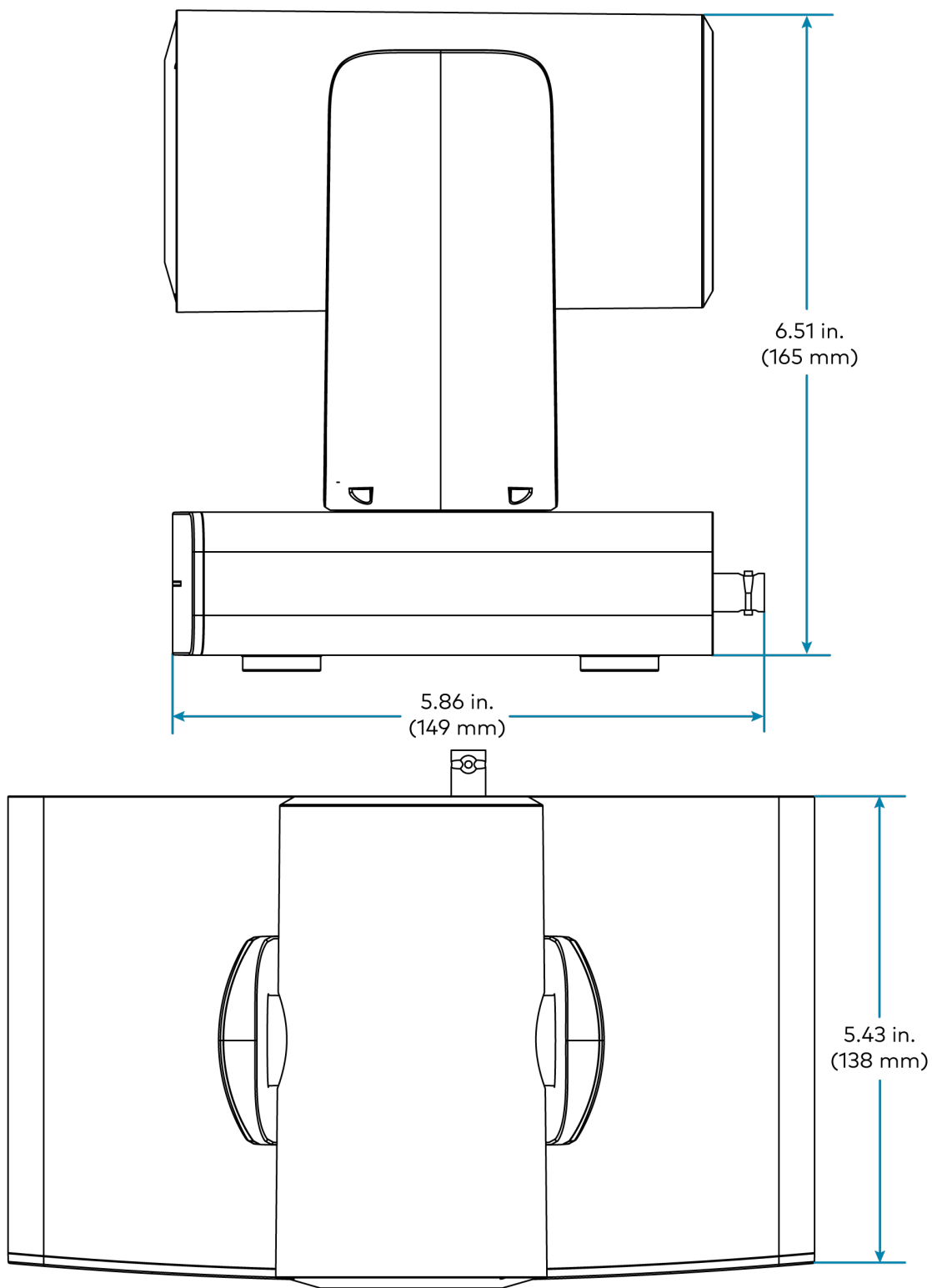
Crestron and the Crestron logo are either trademarks or registered trademarks of Crestron Electronics, Inc. in the United States and/or other countries. HDMI is either a trademark or a registered trademark of HDMI Licensing LLC in the United States and/or other countries. Intertek and the Intertek logo are either trademarks or registered trademarks of Intertek Group in the United States and/or other countries. Microsoft Teams is either a trademark or a registered trademark of Microsoft Corporation in the United States and/or other countries. NDI is either a trademark or a registered trademark of NewTek, Inc. in the United States and/or other countries. Windows is either a trademark or a registered trademark of Microsoft Corporation in the United States and/or other countries. Zoom Rooms is either a trademark or registered trademark of Zoom Video Communications, Inc. in the United States and/or other countries. Other trademarks, registered trademarks, and trade names may be used in this document to refer to either the entities claiming the marks and names or their products. Crestron disclaims any proprietary interest in the marks and names of others. Crestron is not responsible for errors in typography or photography.

Specifications are subject to change without notice.

©2024 Crestron Electronics, Inc.

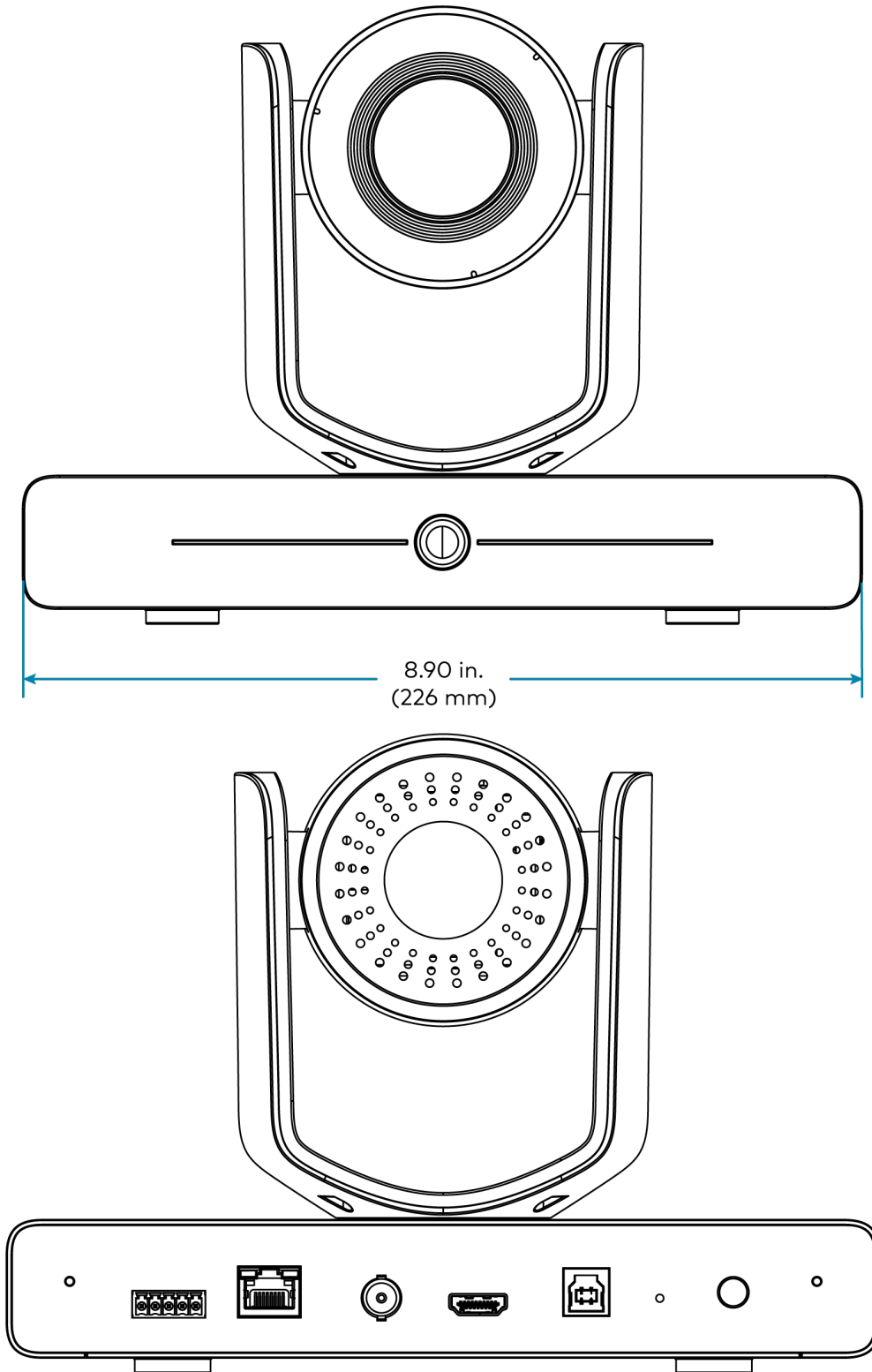
# IV-CAM-I20

Crestron 1 Beyond i20 Intelligent PTZ Camera, 20x Optical Zoom



# IV-CAM-I20

Crestron 1 Beyond i20 Intelligent PTZ Camera, 20x Optical Zoom



# IV-CAM-I20

Crestron 1 Beyond i20 Intelligent PTZ Camera, 20x Optical Zoom

