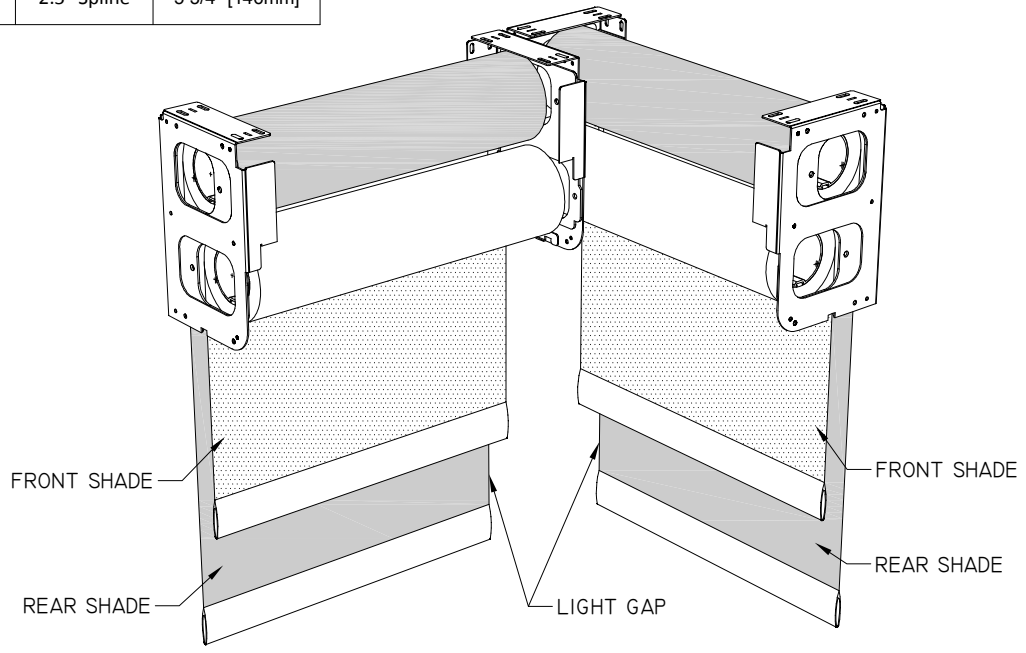


LIGHT GAP		
QMT 5	2.5" Spline	5 3/4" [146mm]



ARCH 5 SERIES DUAL SHADE  
 BUTT AND PASS REGULAR ROLL  
 CORNER CONDITION

**CRESTRON**

15 VOLVO DRIVE  
 ROCKLEIGH NJ 07647  
 TEL: 888-273-7876  
 WWW.CRESTRON.COM

DWG. # MA5D-401  
 SCALE: 6" = 1'-0"  
 DATE: 02.27.15  
 REV.: